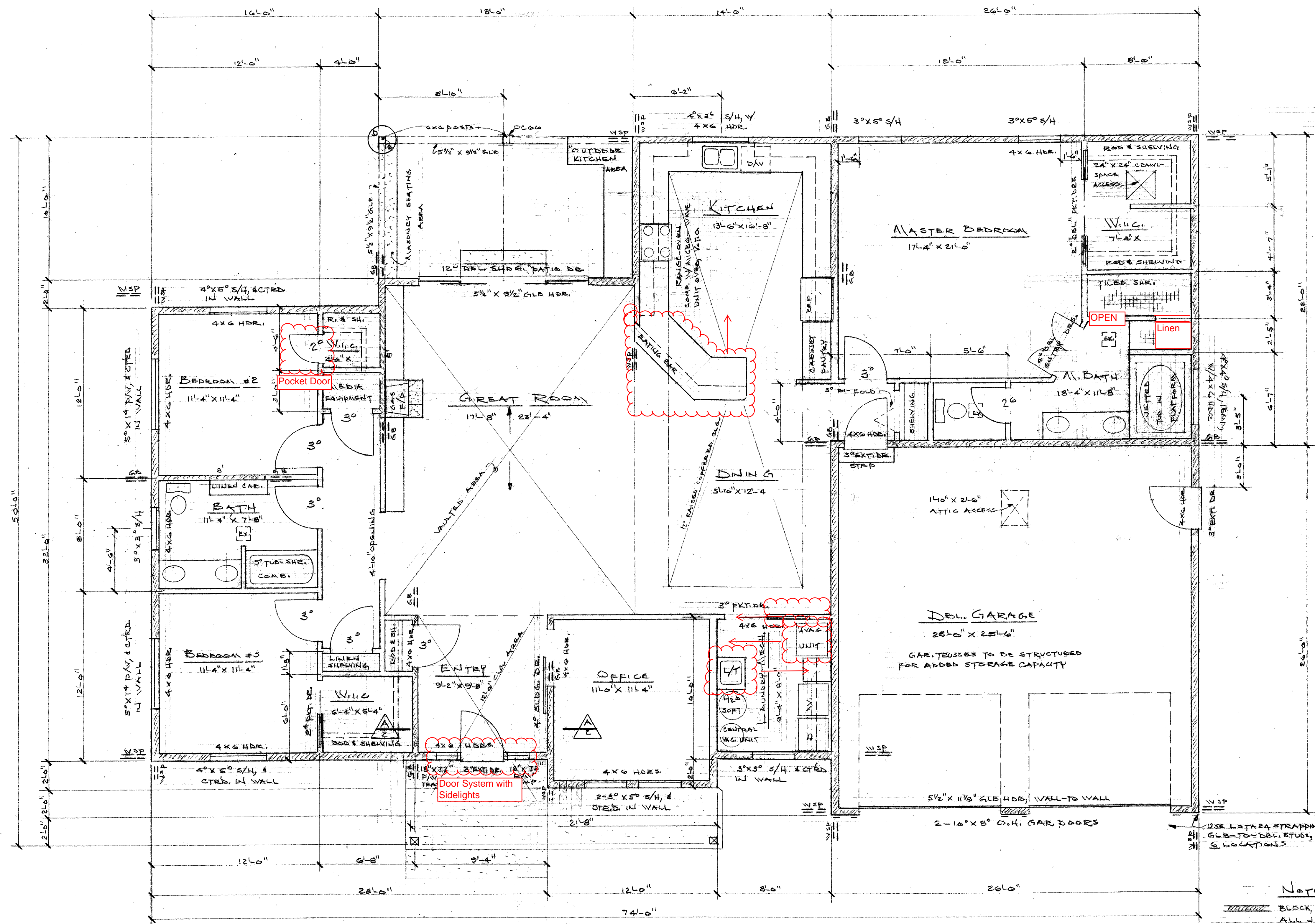
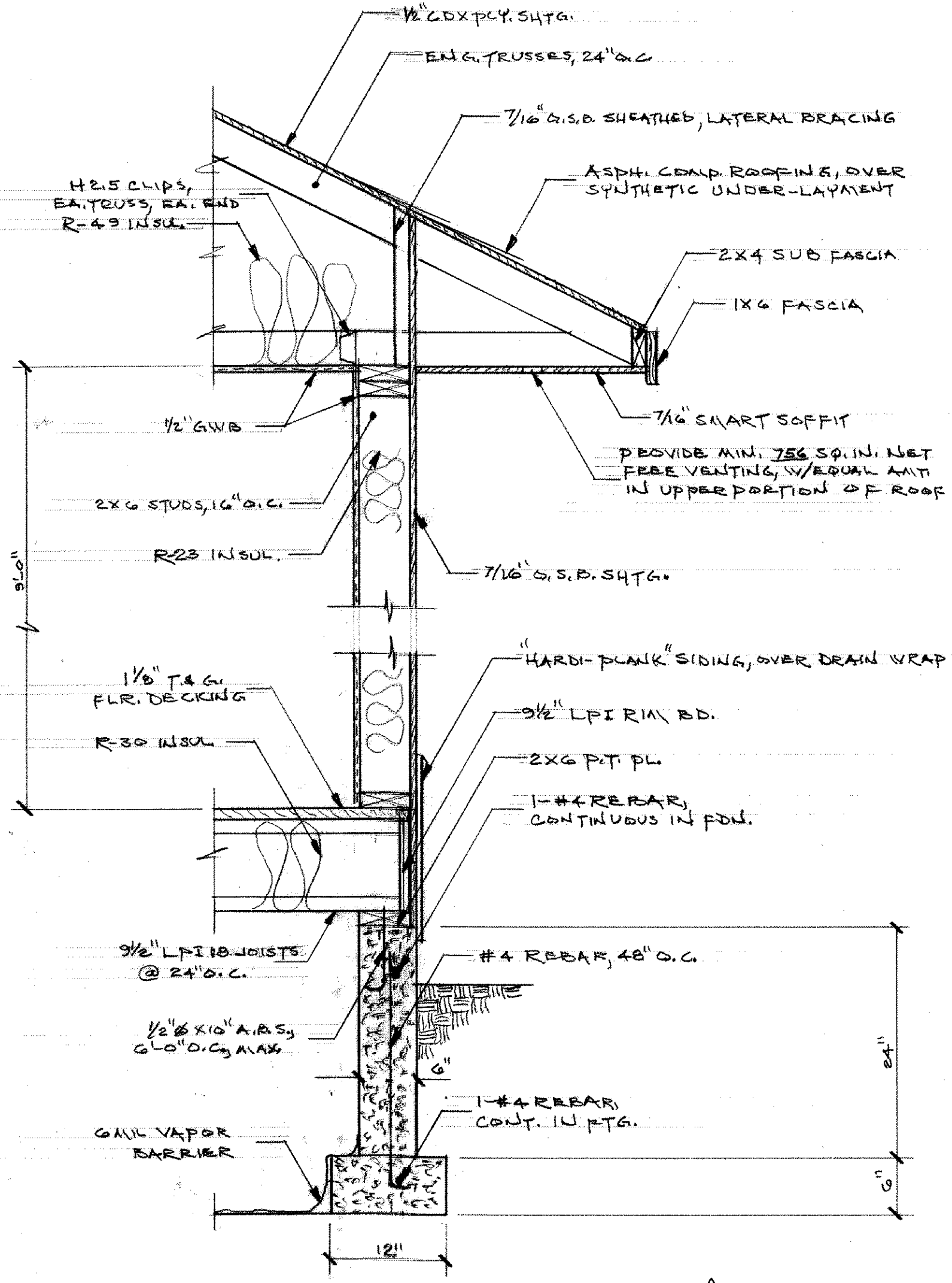


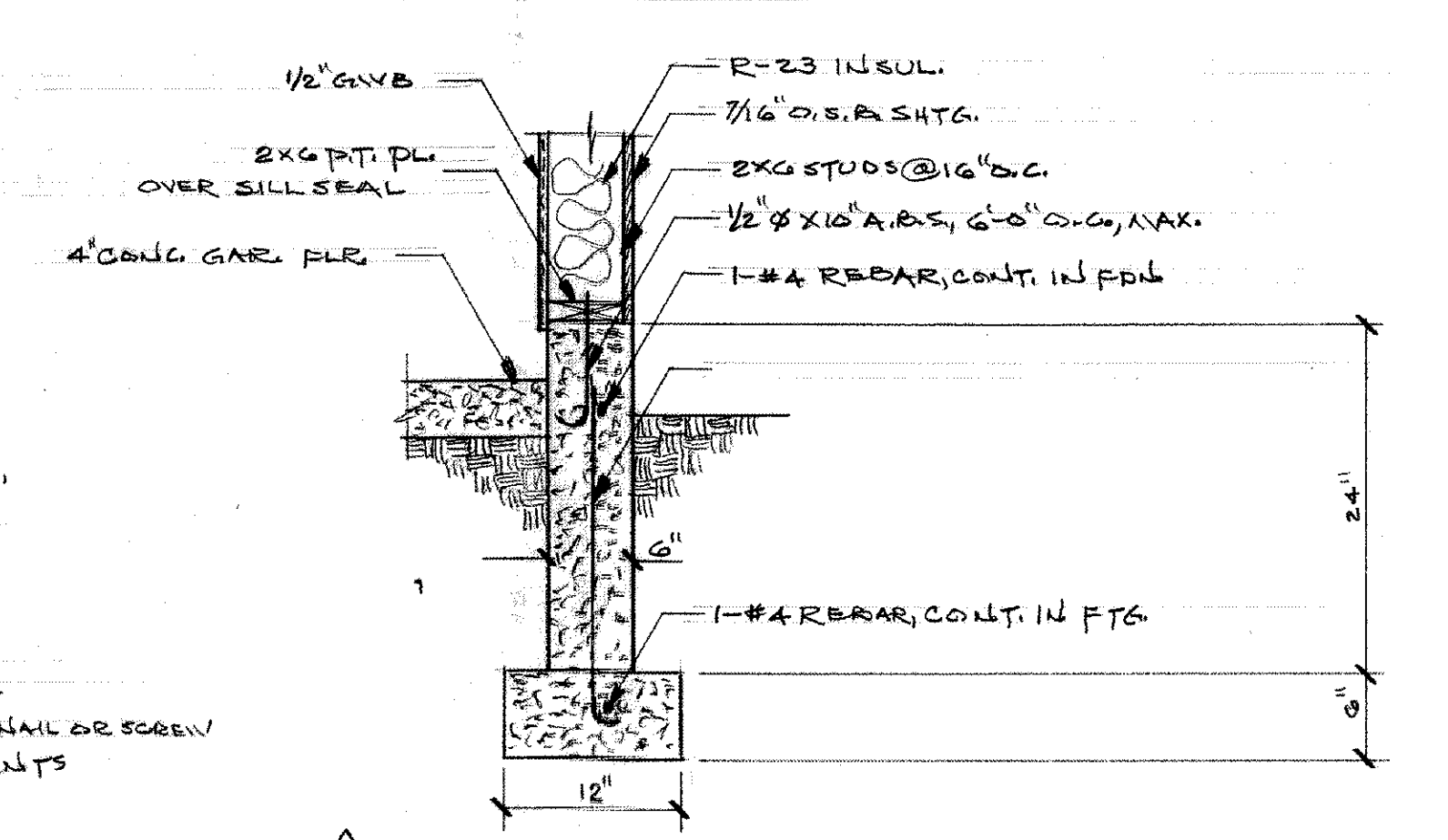
REVISIONS	BY
8-5-15	BJ



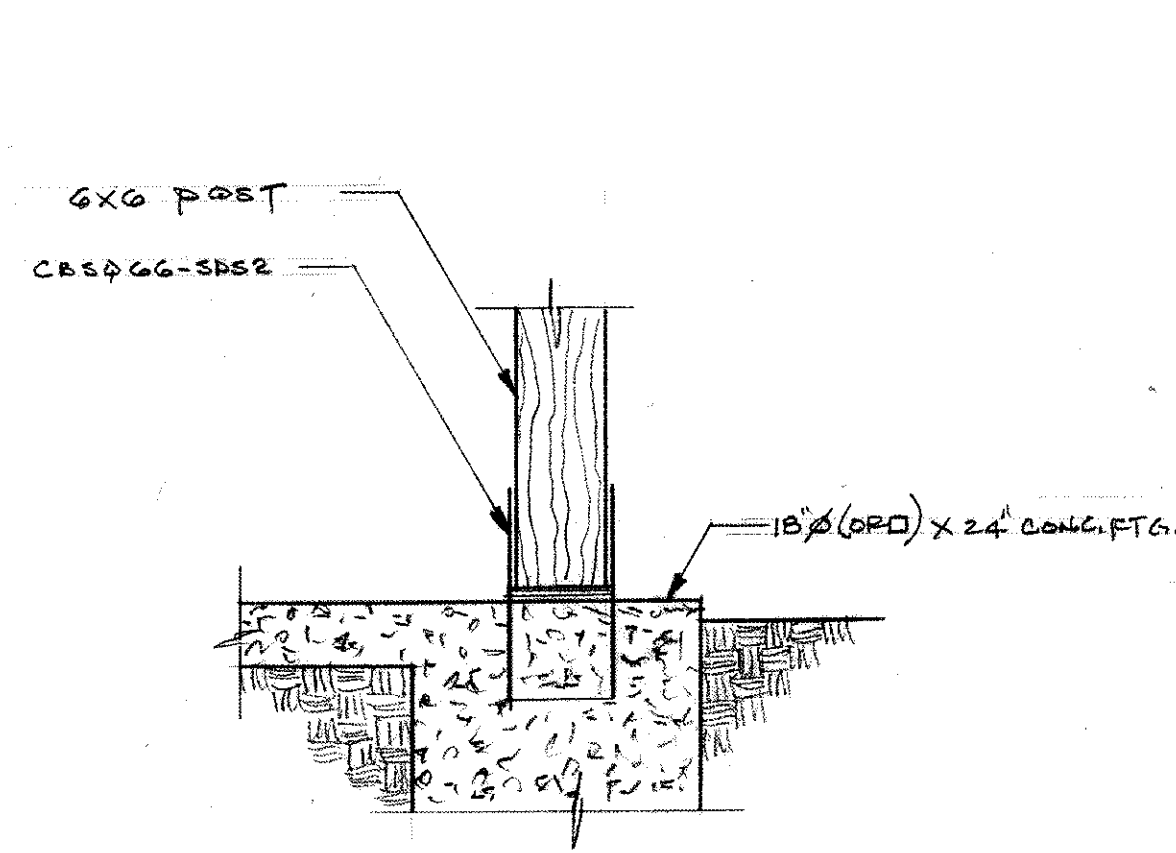
FLOOR PLAN - 1/4" = 1'-0"



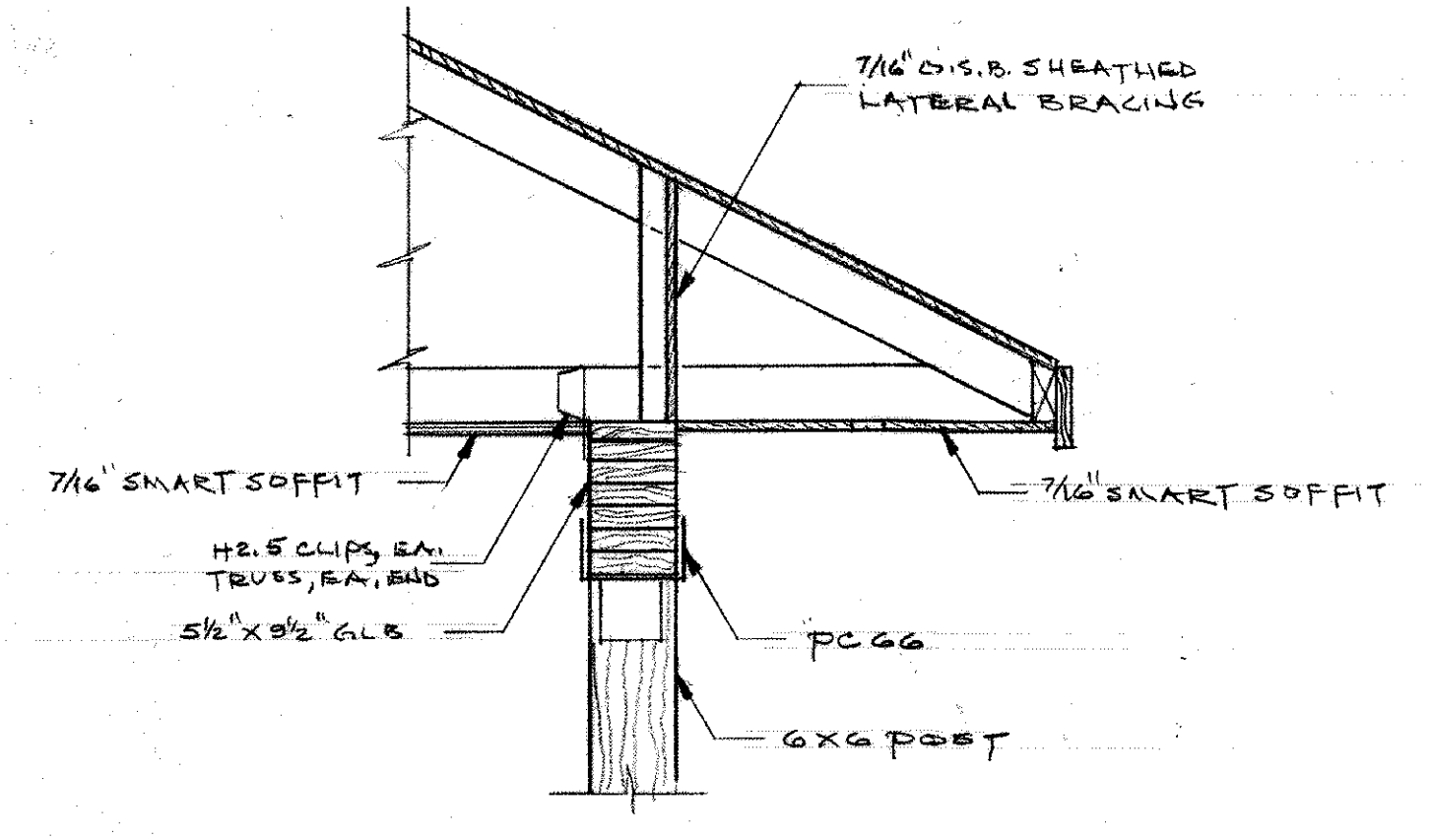
WALL SECTION - 1" = 1'-0"



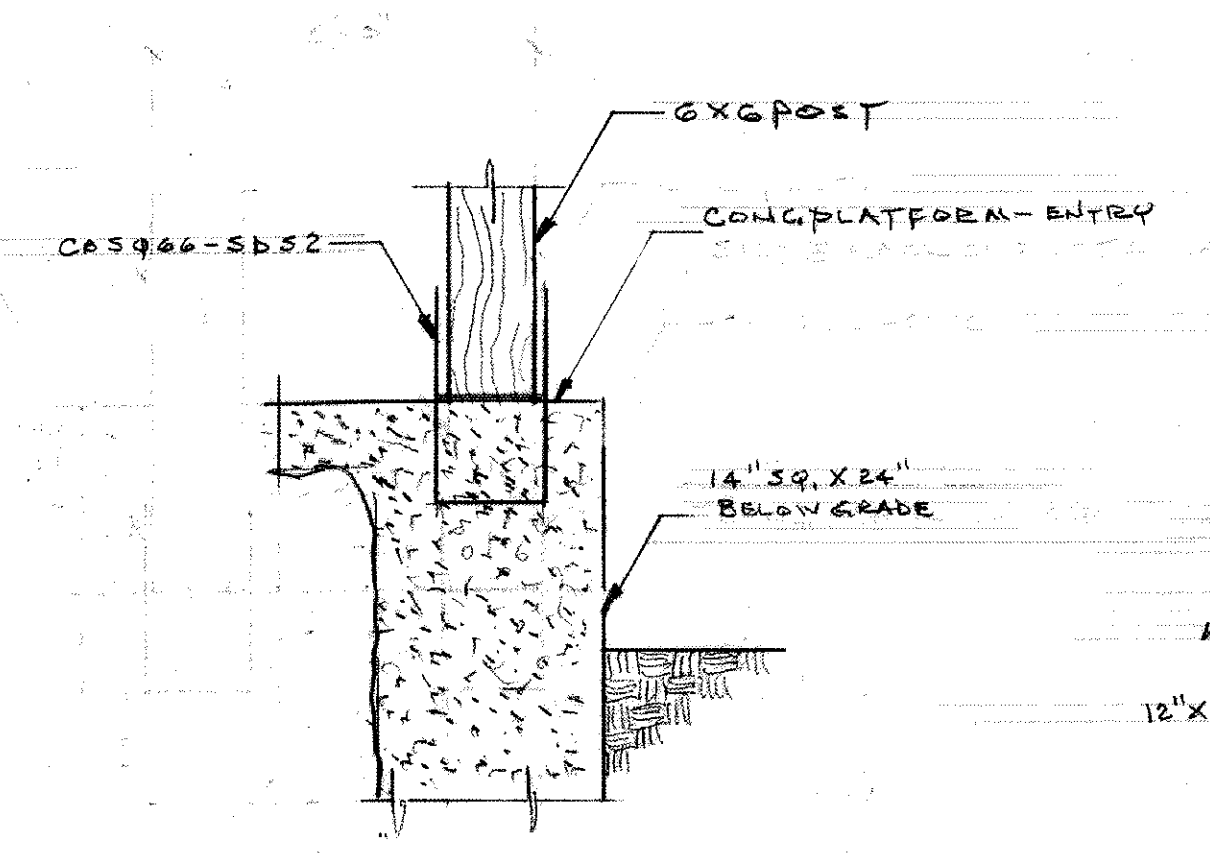
SECTION - 1" = 1'-0"



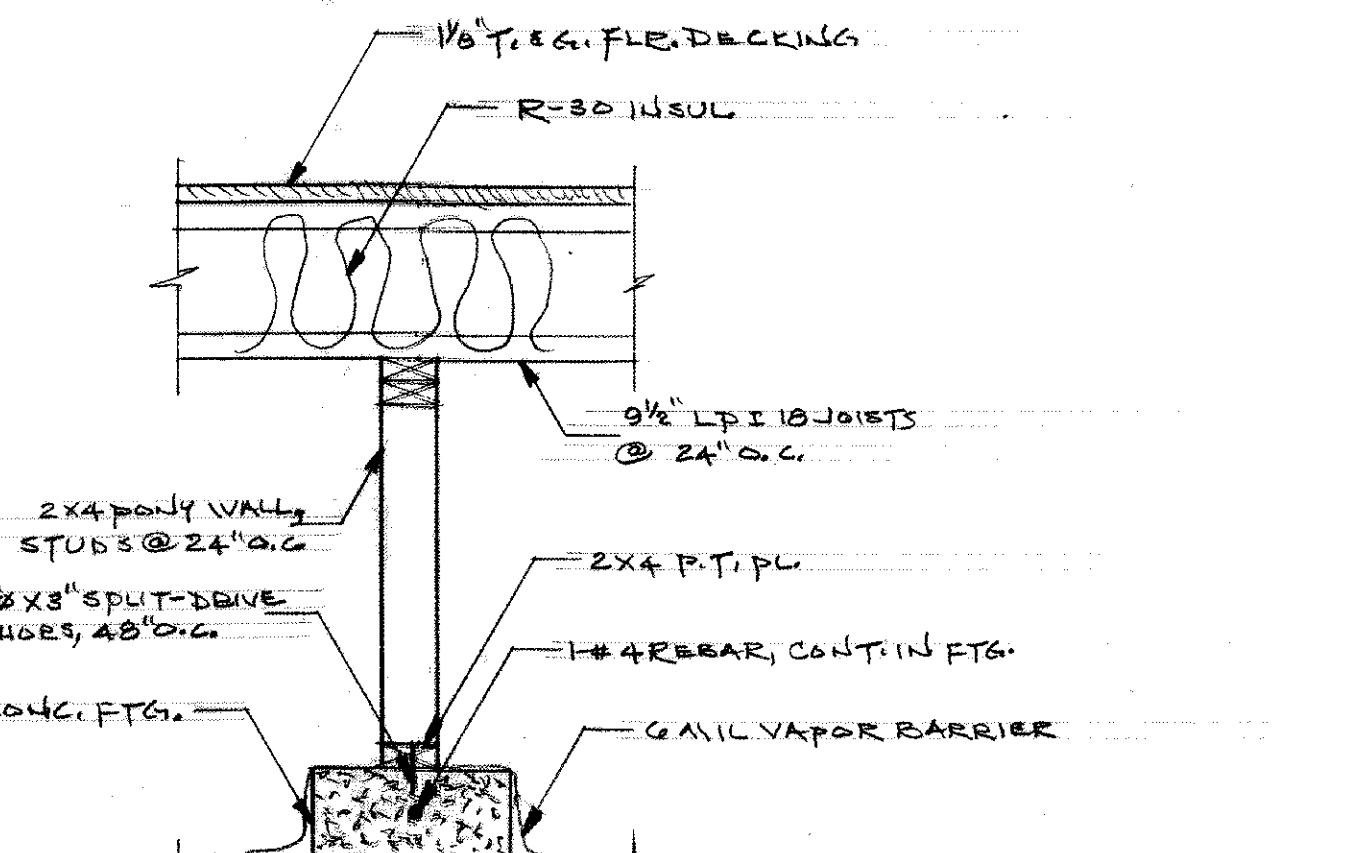
SECTION - 1" = 1'-0"



SECTION - 1" = 1'-0"



SECTION - 1" = 1'-0"



SECTION - 1" = 1'-0"

NOTE
BLOCK & WALL OR SCREEN
ALL JOINTS

PLAN FOR - COLUMBIA BASIN STREET HOMES
HERAISTON, OREGON

Date	JULY, 2015
Scale	AS SHOWN
Drawn	BJ
Job	PLAN 2294
Sheet	3
Of 4	Sheets